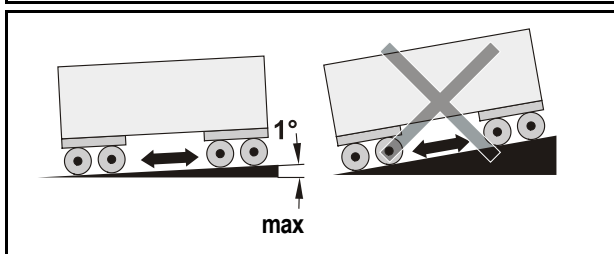
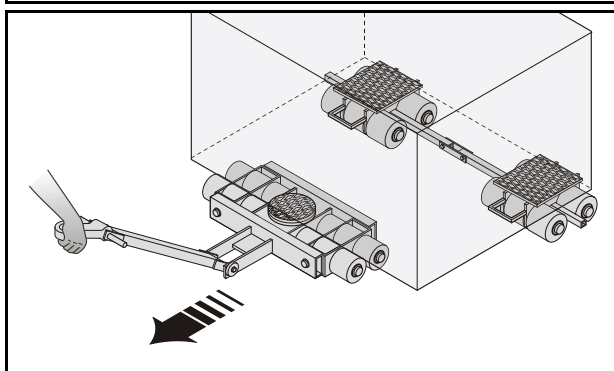
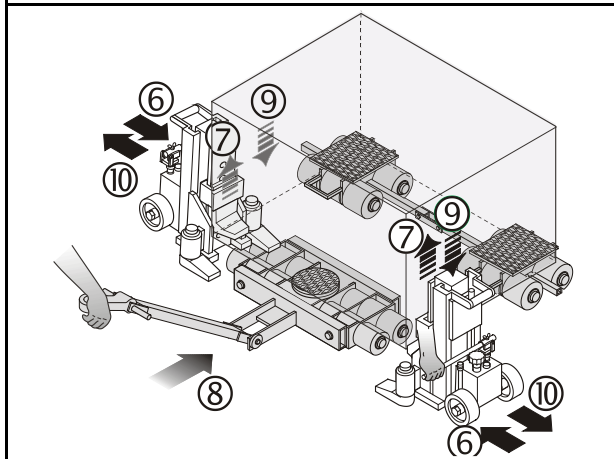
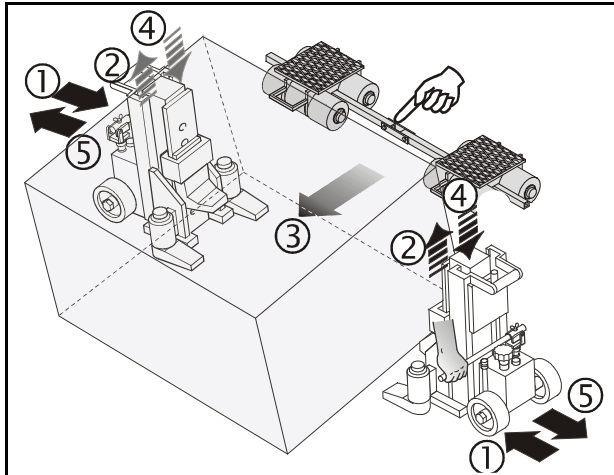


OPERATION MANUAL

⚠ Please read first before starting work ⚠

Multi - roller skates JLB/JFB- K/S/G



- We recommend using **JUNG** hydraulic jacks for maximum safety.
- Ensure that the weight of the load does **not exceed** the capacity of the skates.
- ! **Check before transport!**
- When moving a load over an uneven floor each skate should be fixed to the load.
- Please work to the sequences described below when loading/unloading.

LOADING

- ① ② Lift rear end of the load.
- ③ Place both cassettes of the adjustable rear skate underneath the load at each corner.
 - ☞ **Adjust the connection bar.**
- ④ Place the load slowly and carefully on the cassettes.
- ⑤ Remove Jacks.
- ⑥ ⑦ Lift up the **front end** of the load. Place the steerable skate underneath the load.
- ⑧ Place the steerable skate in the middle underneath the load.
- ⑨ Place the load slowly and carefully on the turntable of the skate.
- ⑩ Remove Jacks

UNLOADING (Reverse the loading steps)

Lift up the front end of the load and **first remove the steerable skate**.
Lower the front end of the load slowly and carefully to the floor.
Lift the rear end of the load and remove both cassettes of the skate.
Lower the rear end of the load slowly and carefully to the floor.

MOVEMENT

Take care that the ground intended for the transport is clean and free of any loose objects.

Move the load by pushing manually or using a suitable towing vehicle. Ensure that the skates are always securely positioned whilst moving.



The multi-roller skates do not have any in-built braking systems. Never exceed 1mph when moving. !



- Do **not** move on a slope of more than 1 degree.
- Use only **suitable** towing vehicles.
 - Make sure that the load does **not exceed** the permissible towing weight.
- Always use the delivered connection bar with the adjustable rear skates. This ensures that the cassettes run parallel under the weight as long as the surface is hard, clean and even.
- On all other surfaces make sure that all trolleys and all cassettes are connected to the load in a suitable manner.

